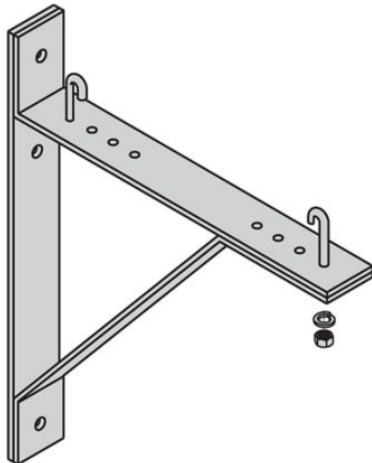


# Eaton SB213209YZ

Catalog Number: SB213209YZ

Eaton B-Line series runway to rack support kit, Used to secure cable runway to top angles, Includes Mounting plate, J bolts, and hardware, 6" upright network equipment rack top plate runway support kit, ASTM A36 structural steel, Yellow zinc



## General specifications

<b>Product Name</b>	<b>Catalog Number</b>
Eaton B-Line series runway to rack support kit	SB213209YZ
	<b>UPC</b>
	799038299257
<b>Product Length/Depth</b>	<b>Product Height</b>
7 in	2.75 in
<b>Product Width</b>	<b>Product Weight</b>
9.38 in	5.5 lb
<b>Certifications</b>	
UL Listed	

## Product specifications

### Special features

Includes Mounting plate, J bolts, & hardware

### Type

6" upright network equipment rack top plate runway support kit

### Material details

Yellow zinc ASTM A36 steel

### Application

Used to secure cable runway to top angles

## Resources

### Brochures

[Redi-Rail runway brochure](#)

### Catalogs

[Cable runway and accessories section of datacomm catalog](#)

### Specifications and datasheets

[Eaton Specification Sheet - SB213209YZ](#)



Eaton Corporation plc  
Eaton House  
30 Pembroke Road  
Dublin 4, Ireland  
Eaton.com  
© 2023 Eaton. All Rights Reserved.

Eaton is a registered trademark.

All other trademarks are property of their respective owners.



[Eaton.com/socialmedia](https://www.eaton.com/socialmedia)